



190-800-2069
35W Full Cutoff

190-800-2066
65W Full Cutoff

Lektron LED lighting products will out perform. Brighter, durable, energy efficient and easy installation. LEKTRON LED security lighting is the cost-effective way to light your location.

At LEKTRON, we are fully committed to providing affordable, energy-efficient lighting solutions utilizing standardized components combined with current innovative designs. Simply put, LEKTRON LED systems are recognized as the benchmark for quality and innovation.

WALLPACK

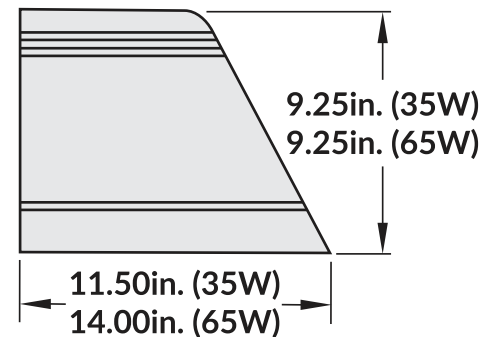
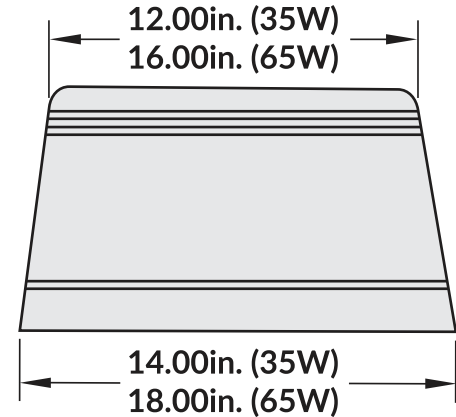
FULL CUTOFF LED SECURITY LIGHTING

APPLICATIONS

- Entrances
- Parking areas
- Walkways
- Underpasses
- Loading docks
- Recreation areas
- Tunnels

BENEFITS

- Energy Saving
- Long Life - 50,000 hrs
- Dark Sky compliant
- Heavy duty die-cast aluminum housing
- High impact/heat resistant borosilicate glass
- Powder coated dark architectural bronze
- Silicone rubber included to prevent leakage



5-YEAR WARRANTY

Available Housings	Power Consumption	LED Power Equivalent	Input Voltage	LED Count	Luminous Flux	Available CCT
190-800-2069 Full Cutoff	35W	100W MH	120 V (277 V Optional)	8	2500	5000K
190-800-2066 Full Cutoff	65W	175W MH	120 V (277 V Optional)	15	4800	5000K
190-800-2067 Semi Cutoff	35W	100 W MH	120 V (277 V Optional)	8	2500	5000K
190-800-2070 Semi Cutoff	65W	175W MH	120 V (277 V Optional)	15	4800	5000K