



800-4209 25W
Soffit Light Fixture,
White

Custom applications and practical engineering are the hallmarks of Lektron LED lighting systems.

The robust, low profile design of our 20W fixture makes it ideal for fuel canopy and security lighting applications.

Easy universal surface mounting and with 2,386 lumens makes this an ideal choice for a low power utility light at a power reduction of as much as 75%.

At Lektron, we focus on standardized components, and simple, effective designs. That equates to reliability.

With over 100 million LED's in service world-wide, Lektron LEDs are the smart solution to any lighting application.

LED LIGHTING

HIGH INTENSITY CANOPY & SOFFIT LIGHT

APPLICATIONS

- Canopies
- Entry
- Security
- Stairwell
- Perimeter Soffit

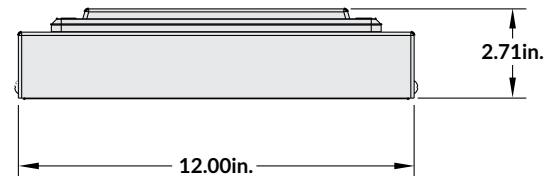
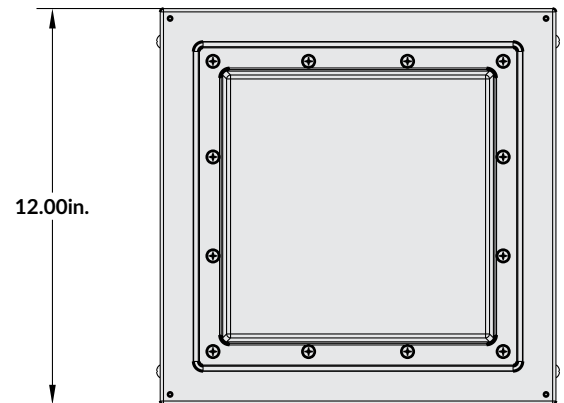
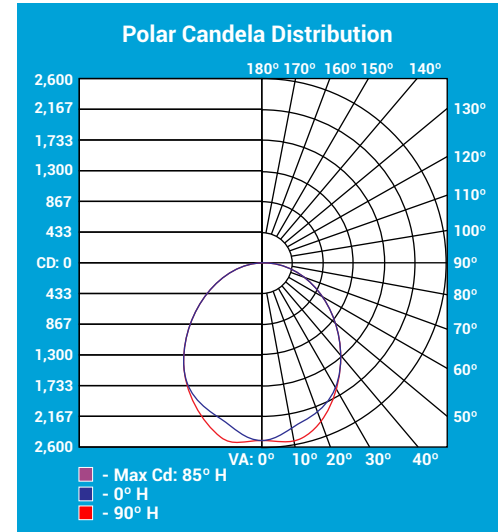
BENEFITS

- Energy Saving
- Reduction of kW load by as much as 75%
- Long life - 100,000 hrs
- Heavy duty aluminum housing
- High impact polycarbonate lens
- Powder coat white
- ROHS Compliant
- cETLus Listed

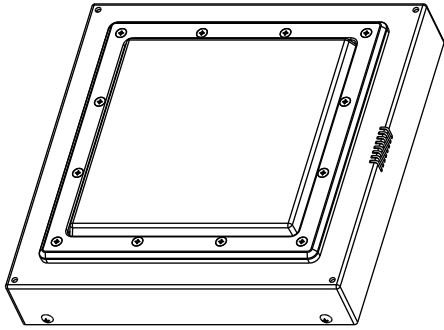
5-YEAR WARRANTY

TESTING AND COMPLIANCE

The CLS series LED light fixture is ETL certified under UI1598 specifications. Tested to Lm79 standards.



Model/Part No.	Power Consumption	LED Power Equivalent	LED Lifespan/Hours	Input Voltage	Warranty Years	LED Count	Lumens	Color Temp
800-4209 25W, Soffit Light Fixture, White	25W	100WMH	>100,000	AC 120-277V	5	Multi	2350	5,000



800-4209 25W
 Soffit Light Fixture,
 White

Length: 12 inch
 Width: 12 inch
 Height: 2.73 inch

WARNING:
 Before proceeding, read all instructions carefully to ensure proper and safe installation.

WARNING:
 Risk of fire or electrical shock.

WARNING:
 Disconnect power before installing or servicing.

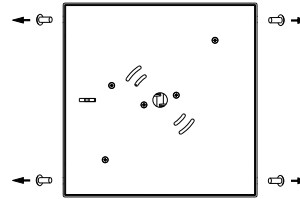
WARNING:
 All wiring to be performed per National Electrical Code and local code by a qualified electrician.

STEP 1

Unpack fixture from packaging. Fixture consists of the power supply(s) mounted on the back plate inside of the fixture. Surge protector mounted on the mounting bracket (optional).

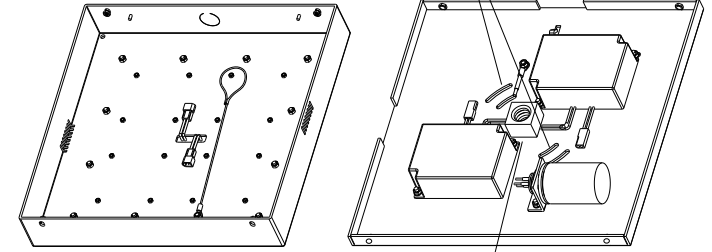
STEP 2

Remove rear cover plate screws.



STEP 3

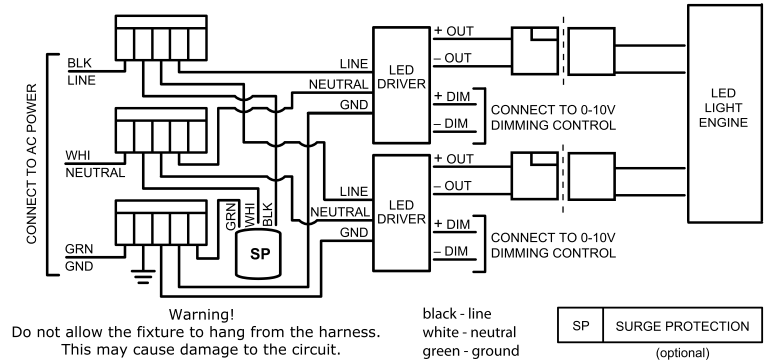
Mount back plate to surface using the provided slots. Use temporary hanging cable and hook for ease of installation.



Electrical wire opening and pendant mount hole.

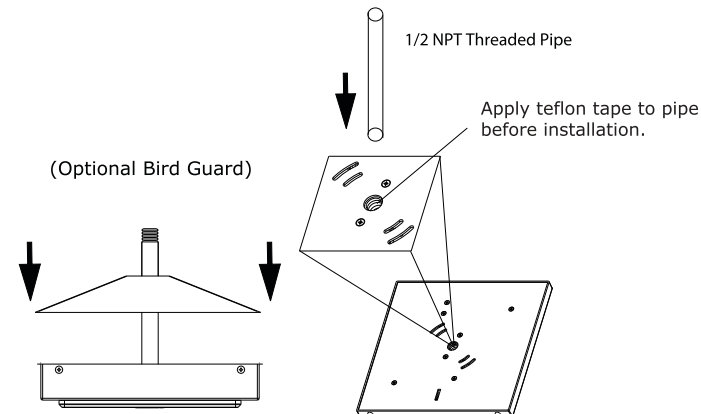
STEP 4

Connect the incoming electrical wires to the set of power wires on the LED power supply(s). Next connect the LED driver harness(s) to the LED light engine(s) on main housing. The surge suppressor is an optional accessory that can be used in the system.



STEP 5

Pendant Mount Installation:
 Feed the electrical wire coming out of the fixture through the conduit pipe as shown below. Connect wires to the appropriate wires at electrical junction box as shown in electrical diagram. Mount to junction box using the proper mounting plates.



STEP 6

Mount the bottom housing to the cover plate using the 4 screws.

