



**190-800-2067**  
35W Semi Cutoff

**190-800-2070**  
65W Semi Cutoff

Lektron LED lighting products will out perform. Brighter, durable, energy efficient and easy installation. LEKTRON LED security lighting is the cost-effective way to light your location.

At LEKTRON, we are fully committed to providing affordable, energy-efficient lighting solutions utilizing standardized components combined with current innovative designs. Simply put, LEKTRON LED systems are recognized as the benchmark for quality and innovation.

# WALLPACK

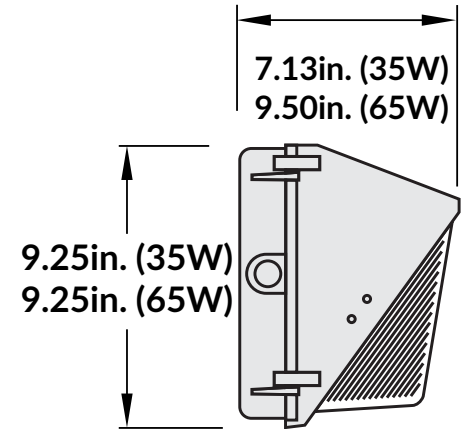
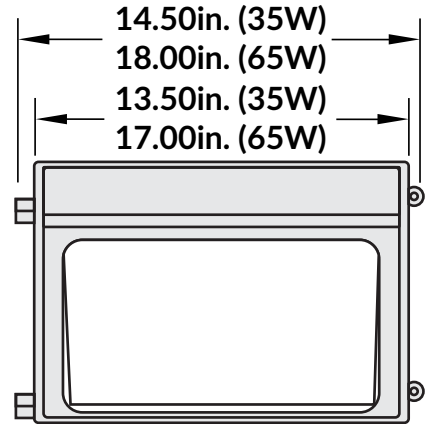
## SEMI CUTOFF LED SECURITY LIGHTING

### APPLICATIONS

- Entrances
- Parking areas
- Walkways
- Underpasses
- Loading docks
- Recreation areas
- Tunnels

### BENEFITS

- Energy Saving
- Long Life - 50,000 hrs
- Dark Sky compliant
- Heavy duty die-cast aluminum housing
- High impact/heat resistant borosilicate glass
- Powder coated dark architectural bronze
- Silicone rubber included to prevent leakage



### 5-YEAR WARRANTY

Available Housings	Power Consumption	LED Power Equivalent	Input Voltage	LED Count	Luminous Flux	Available CCT
190-800-2069 Full Cutoff	35W	100W MH	120 V (277 V Optional)	8	2500	5000K
190-800-2066 Full Cutoff	65W	175W MH	120 V (277 V Optional)	15	4800	5000K
190-800-2067 Semi Cutoff	35W	100 W MH	120 V (277 V Optional)	8	2500	5000K
190-800-2070 Semi Cutoff	65W	175W MH	120 V (277 V Optional)	15	4800	5000K